

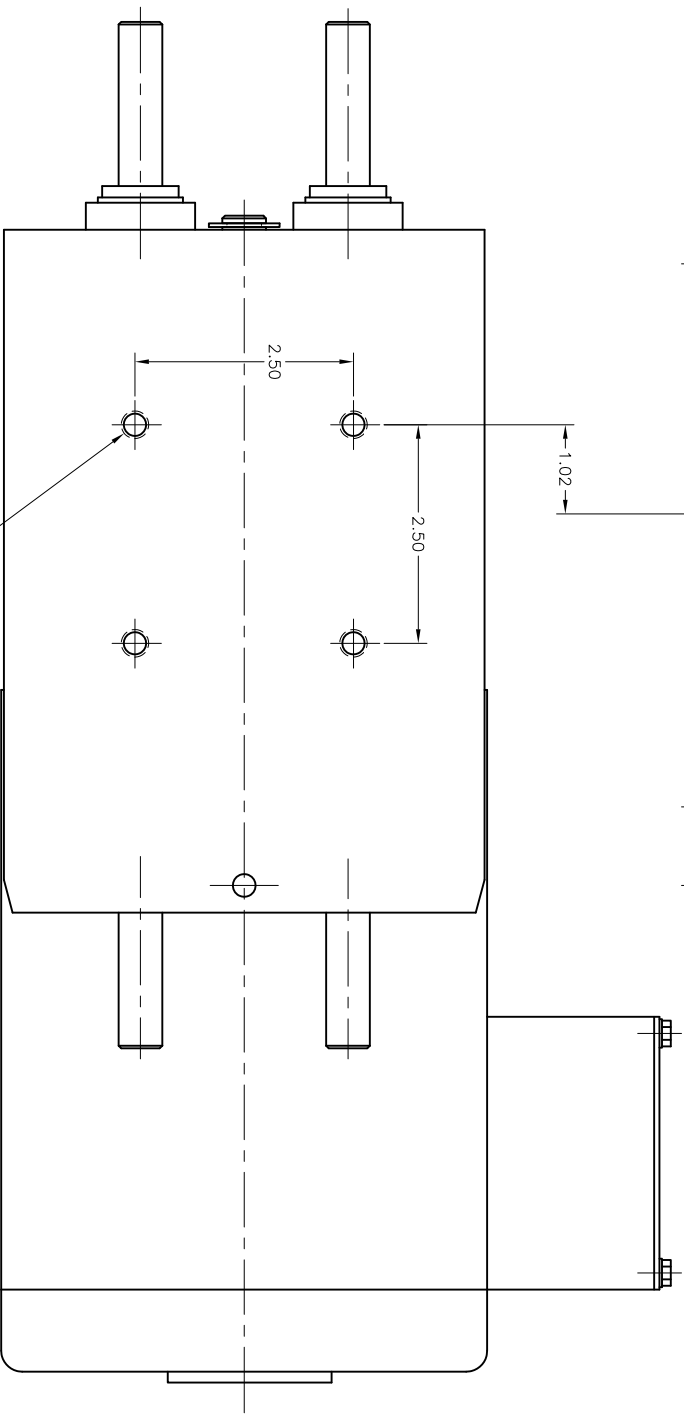
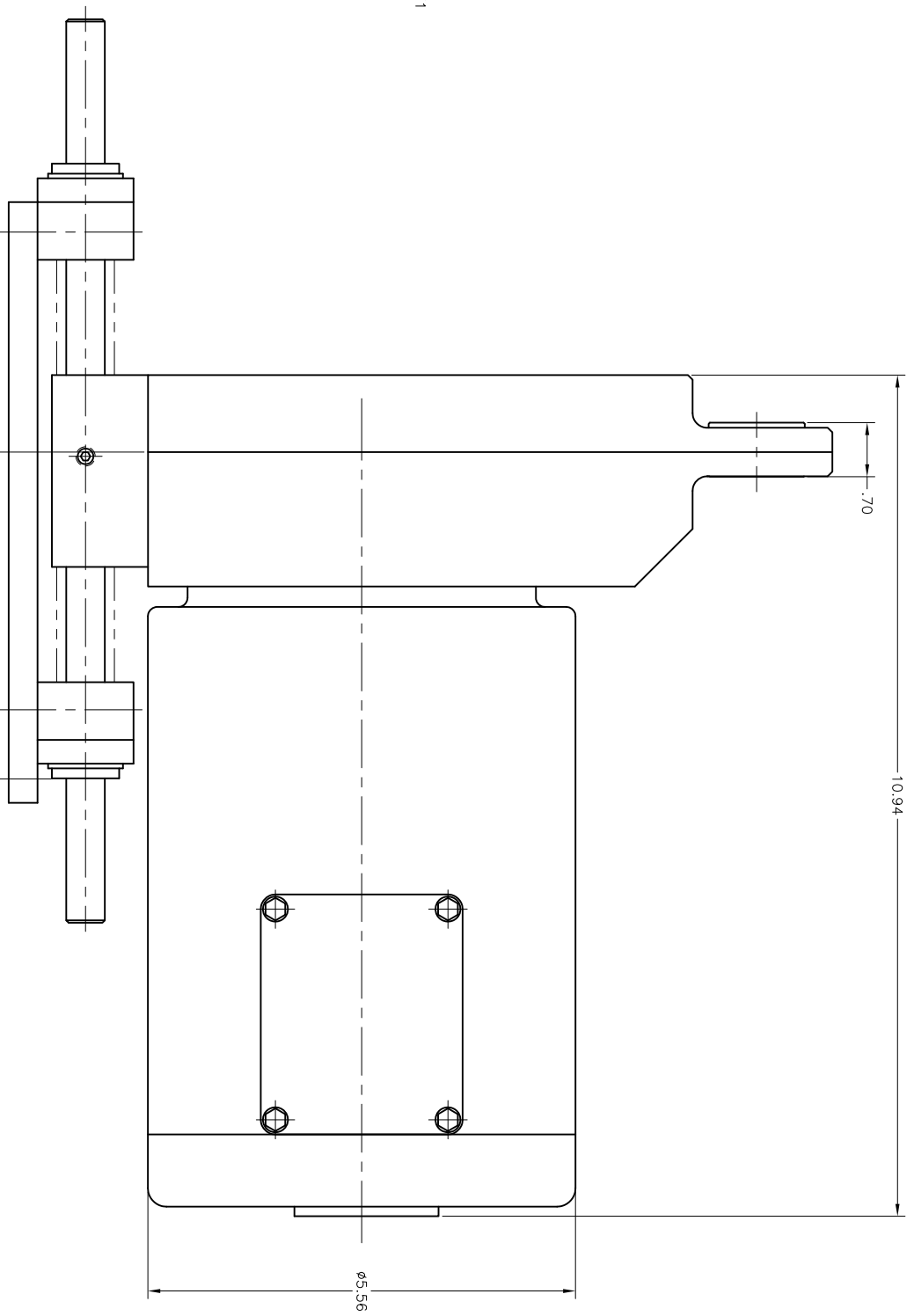
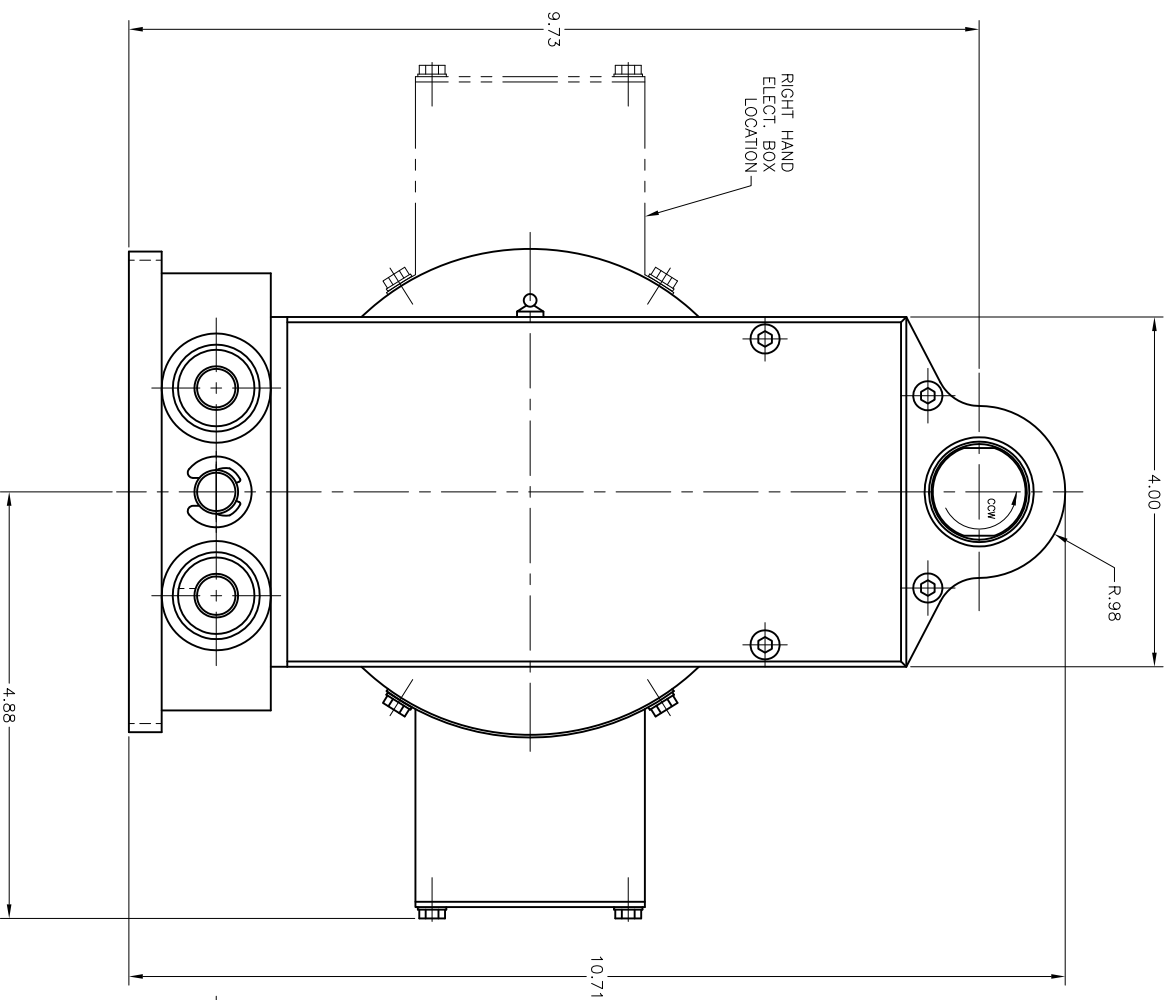


Model #E2700-1 Tip Dresser Specifications:

Features:

- Electric Motor:
 - ½ hp Water Resistant Motor
 - Measured Cutter RPM: 215 rpm
- Bottom Motor Mounting Location
- Equalizer is built into Tip Dresser
- Aluminum Billet Construction
- Nose Thickness: .70" [17.8mm]
- Throat Depth: 0.984" [25.0mm]
- Recommended Tip Squeeze Pressure:
200-400 Lbs. [91-181 kg]
- Customized Cutter configurations available
- Weight: 33.4 lbs. [15.3 kg.]

7/8/2011



MOTOR: 0.5 HP
 FRAME: 48C FACE
 VOLTAGE: 460vac 3Ø
 TORQUE: 48.4 IN/OZ
 RPM: 3450
 CUTTER RPM: 323
 GEAR RATIO: 10.67/1
 CUTTER TORQUE: 42.9 IN/LB
 WEIGHT: 34.0 LBS./15.5 KG.

NOTE:
 LUBRICATE DRESSER WITH:
 AMSOIL
 NLGI No. 1.5 GC-LB
 EXTREME PRESSURE GREASE

Stillwater TECHNOLOGIES, INC.

TOLERANCES UNLESS OTHERWISE SPECIFIED:
 HOLE TOLERANCE .015" ± .001" 1 PLACE DECIMALS .4 mm
 3 PLACE DECIMALS +/- .005" ± .001" 2 PLACE DECIMALS +/- .013 mm
 4 PLACE DECIMALS +/- .0005" ± .001" 3 PLACE DECIMALS +/- .0013 mm
 ANGLES ±

ALL SHARP EDGES MUST BE BROWH, UNLESS OTHERWISE SPECIFIED

DO NOT SCALE DRAWING

STAMP DRAWING NUMBER AND REVISION SYMBOL ON EACH PART
 MODEL #E2700-1
 MODEL #E2700-1
 ELECTRIC TIP DRESSER
 DATE 7/8/11
 DRAWN BY GN
 CHECKED BY
 SCALE FULL
 SHEET 1 OF 1
 25700-15048
 E2700-1 SALES