

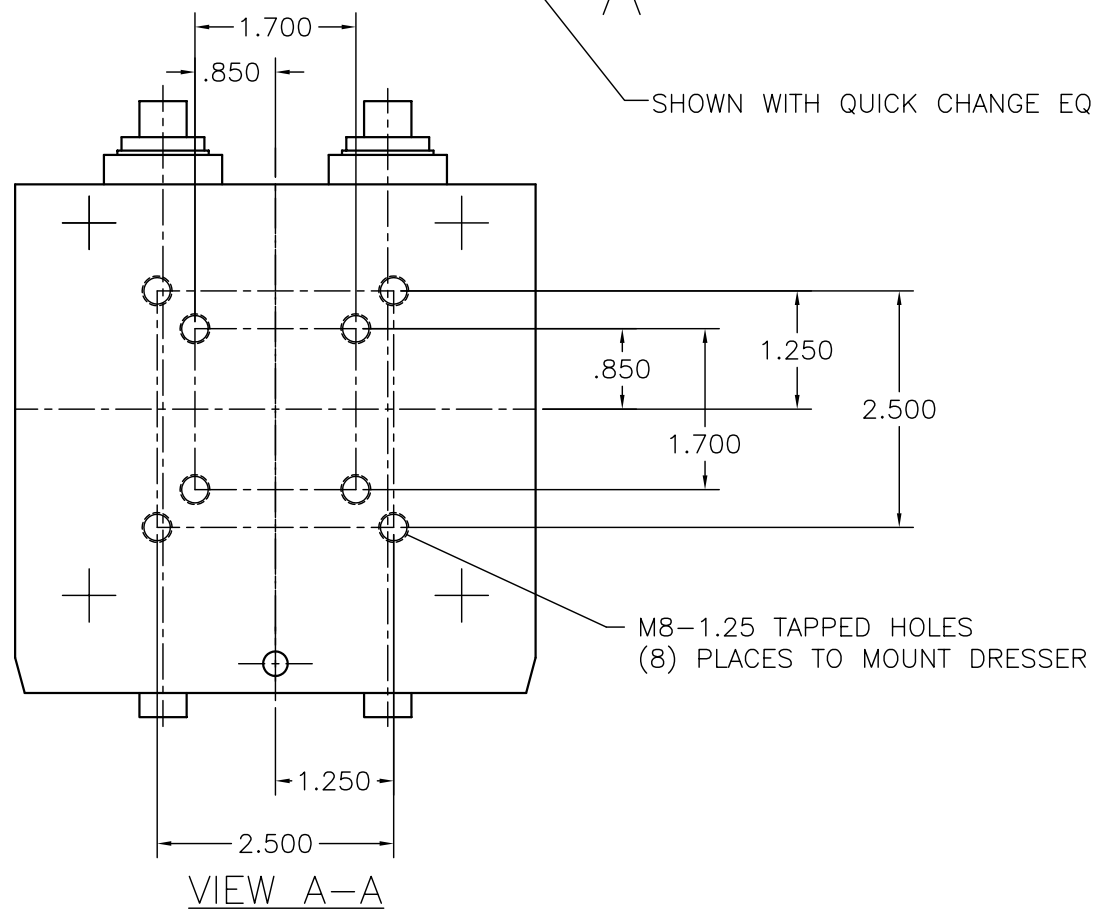
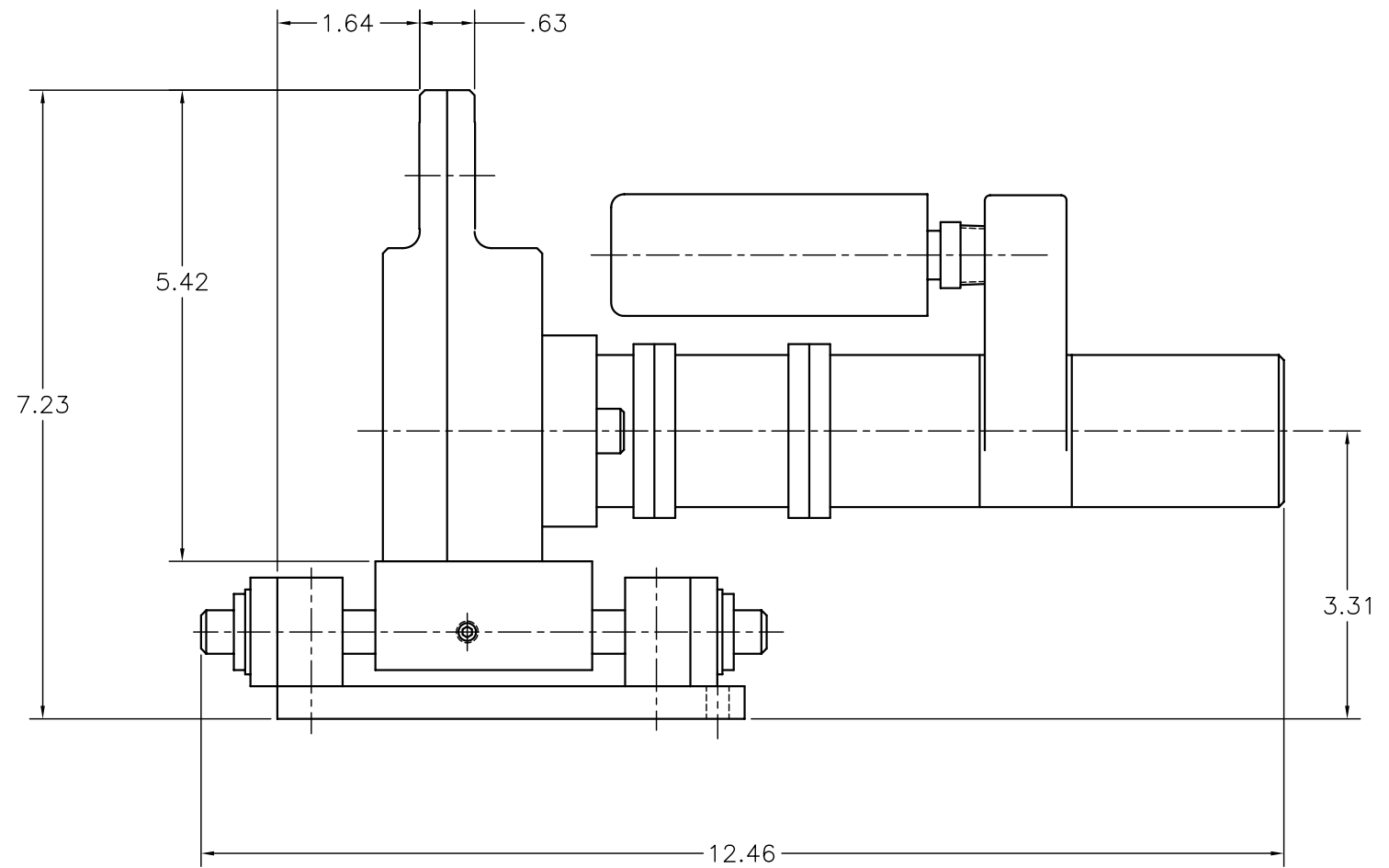
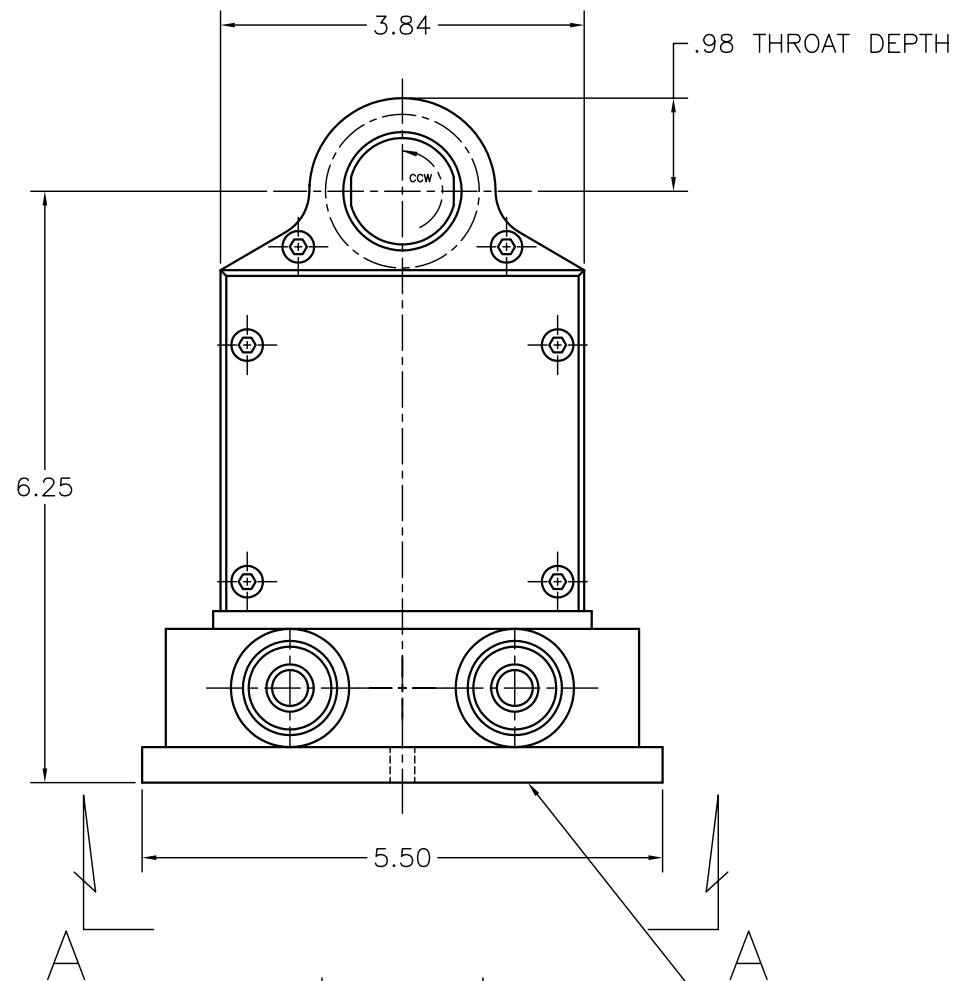
Stillwater TECHNOLOGIES INC.

Model #A2700-1 Tip Dresser Specifications:

Features:

- Pneumatic Motor:
 - 350 rpm air motor
 - Recommended Operating Air Pressure: 65-100 psi
 - CFM Required: 8.0 ~ 10.0 cfm
 - Measured Cutter RPM @ 75 psi: 185 rpm
- Bottom Motor Mounting Location
- Equalizer is built into Tip Dresser
- Aluminum Billet Construction
- Nose Thickness: .640" [16.3mm]
- Throat Depth: 0.984" [25.0mm]
- Recommended Tip Squeeze Pressure:
200-400 Lbs. [91-181 kg]
- Customized Cutter configurations available
- Weight: 15.2 lbs. [6.9 kg.]





SHOWN WITH QUICK CHANGE EQUALIZER PLACE

VIEW A-A

Sillwater TECHNOLOGIES, INC.		1040 S. DORSET RD. - TROY, OHIO 45373	
TOLERANCES UNLESS OTHERWISE SPECIFIED			
INCH TOLERANCE		mm TOLERANCE	
2 PLACE DECIMALS +/- .015"	1 PLACE DECIMALS +/- 0.4 mm		
3 PLACE DECIMALS +/- .005"	2 PLACE DECIMALS +/- 0.13 mm		
4 PLACE DECIMALS +/- .0005"	3 PLACE DECIMALS +/- 0.013 mm		
ANGLES ±1°			
ALL SHARP EDGES MUST BE BROKEN, UNLESS OTHERWISE SPECIFIED			
DO NOT SCALE DRAWING			
STAMP DRAWING NUMBER AND REVISION SYMBOL ON EACH PART			
TITLE SALES DRAWING			
#A2700-1 DRESSER			
DRAWN BY	DATE	SCALE	FULL
GLN	1/08/04		
CHECKED BY	DATE	DRAWING NUMBER	
		2700-1SALES	
SHEET 1 OF 1			A2700-1

REV	BY	DATE	DESC.	ECN #